

PUSH BUTTON SWITCH

BTPS3 SERIES

Perfect Push-button switch operation
With Precise Design and Qualified Materials



Features

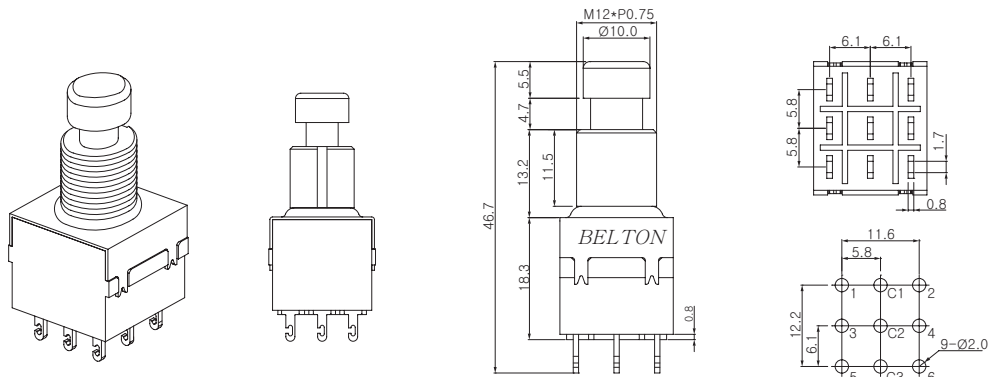
- Mainly designed for foot pedal and other safety equipments
- Safety for solder heat shock by using high heat-resistance thermo-plastic resin
- Suitable for AC/DC rated foot switches with single and double throw operation
- Available for matching the proper operation forces with demand

Applications

- Applicable to the wide ranged products which are AC/DC rated operation, but specially for safety valve and foot pedal function equipments

Standard Dimensions

BTPS3-3□□-□



Electrical specifications

- Electrical Rating : 3A 125V AC, 1A 250V AC
- Contact Resistance : 50 mohms(Max.)
- Insulation Resistance : 100 Mohms, 500V DC
- Withstanding Voltage : 1Min. At 500V AC

Mechanical specifications

- Electrical life : Over 10,000 cycles min
- Operating Travel : 4.5mm Max.
- Operating Force : 1.5±0.5Kgf, 3±0.5Kgf
- Solderability : 280±5°C, 3sec

Suggested Ordering Code

