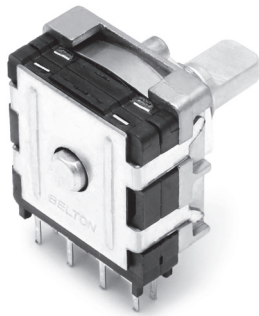


# ROTARY SWITCH

## BTDS20H SERIES DIGITAL SWITCHES

Rotary type digital switch with small and compact size



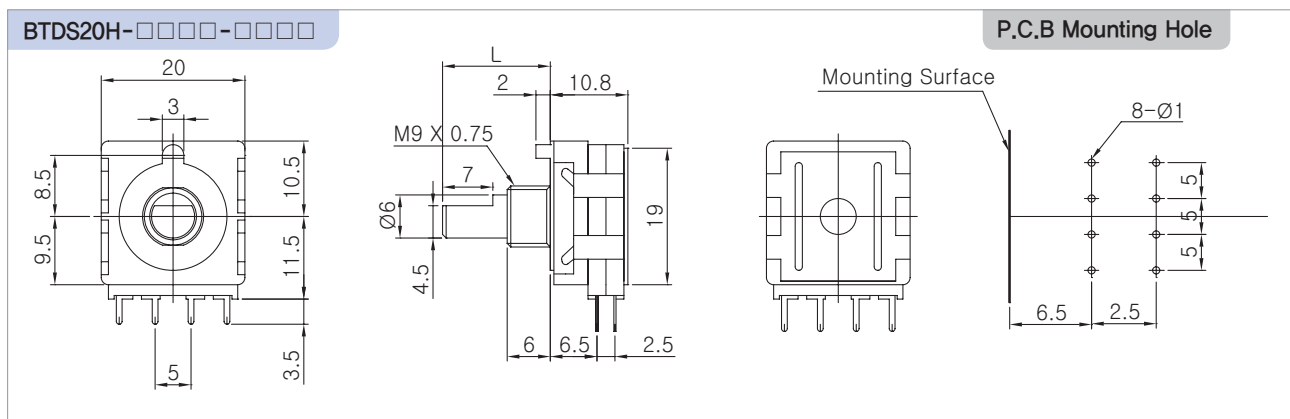
### Features

- Small and compact size(20×20.5mm)
- Detent number from 8 to 40 are available
- Capable for horizontal and vertical mounting

### Applications

- For all kinds of digital program switches and C.B transceiver

### Standard Dimensions



### Product Classifications

NO.OF POSITIONS	8	10	16	18	24	32	40
ANGLE OF CHANGEOVER	45°	36°	22.5°	20°	15°	11.25°	9°
BITS PER STEP	7						
NO.OF WAFER	1-3						
CODE	BINARY, BCD, GRAY						
SHAFT SHAPE	18 SERRATION, R AND FLATE						

### Mechanical specifications

- Electrical life : 10,000 cycles min
- Terminal strength : 250kgf · cm for 1 min
- Solderability : 230±5°C, 3 sec
- Changeover angle : Refer to the Product Classification table

### Electrical specifications

- Electrical Rating : 0.1 A , 15V DC
- Contact Resistance : 1 mohms(max)
- Insulation Resistance : 100 Mohms, 500V DC
- Withstanding Voltage : 1 Min. at 500V AC
- Circuits : Refer to the next page

### Rotational Torques

- Single shaft : 700±300gf · cm
- Dual shaft : 700±300gf · cm
- Rotational torque can be changeable by option