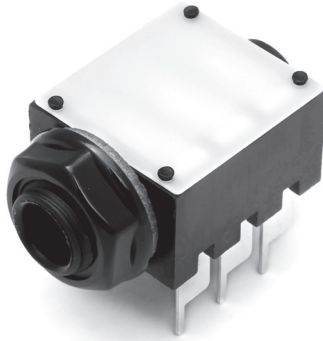


1/4" PHONE JACK

EPJ SERIES

Protecting contact corrosion, dust and flux spotted

PATENT



Features

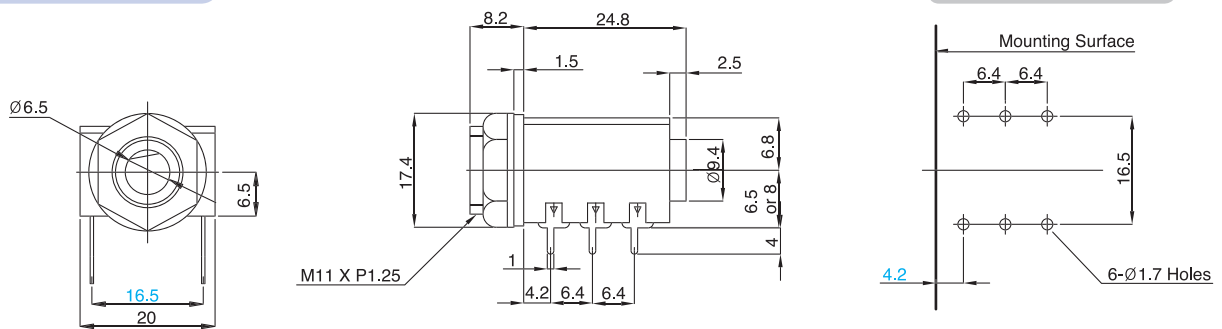
- Glossy plastic Nut
- Good Insulation with glassfiber
- Enclosing and Applying contact oil to the contact
- Bushing mouth piece can be supplied by option

Applications

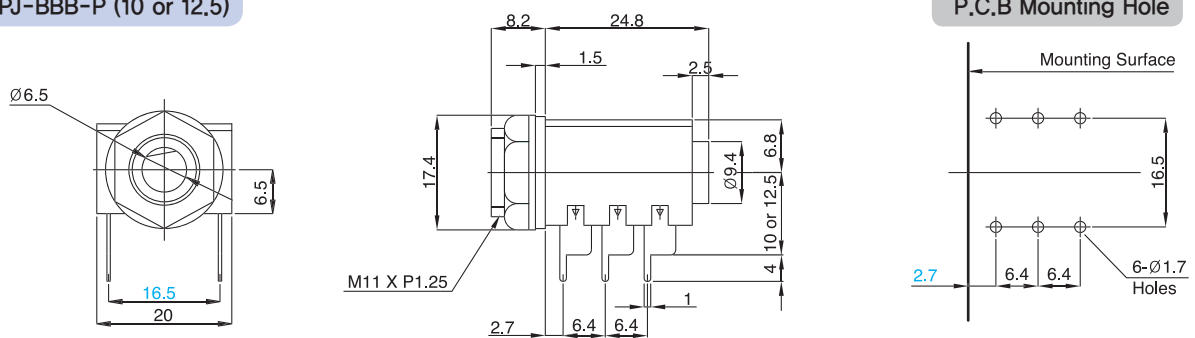
- Applicable to all types of electronic music instruments like as mixing console, graphic equalizer and stereo amplifier etc.

Dimensions

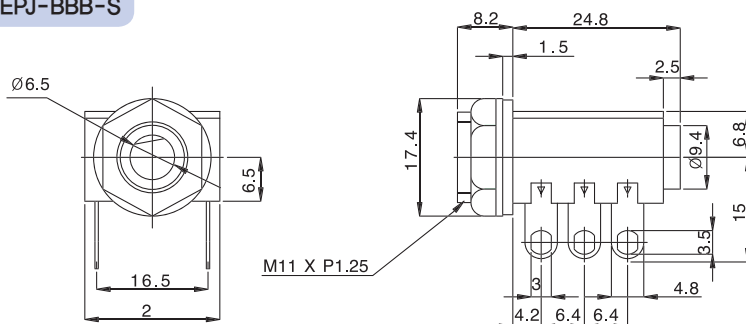
EPJ-BBB-P (6.5 or 8)



EPJ-BBB-P (10 or 12.5)



EPJ-BBB-S



General Specification

- Life : 10,000 Cycles Min. (Insertion / Withdrawal)
- Insertion / Withdrawal Force : 0.1~0.8kg · f/cm
- Contact Resistance : 20 mohms(Max.)
- Insulation Resistance : Over 100 Mohms
- Dielectric Withstanding Voltage : 500V AC
- Contact Rating : 25A, 48V DC